



ACCESS DOORS



60-WHAD



65-WCAD

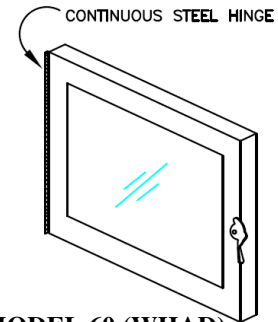
Standard models are 1" thick hinged or double cam lock viewing doors.

**MODEL:
60-WHAD
65-WCAD**

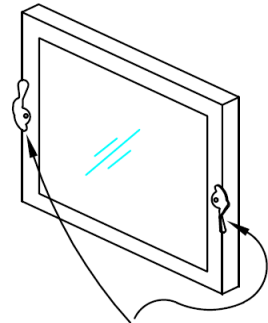
Standard Construction

- Frame:** 26 Ga. galvanized steel
- Door Panel:** 26 Ga. galvanized steel
- Finish:** Galvanized steel

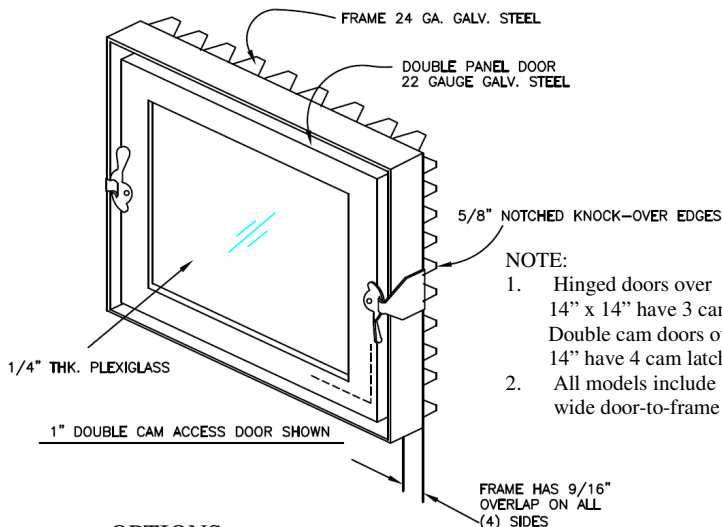
- 1" Thick hinged access door with flange
- Double panel door
- Frame 26 Ga. galvanized steel
- 5/8" Long notched knock-over edges standard
- 1/8" X 1/2" Wide door to frame standard gasketing
- 1/4" Thick Plexiglas



MODEL 60 (WHAD)
Hinged 1" access door with viewing window

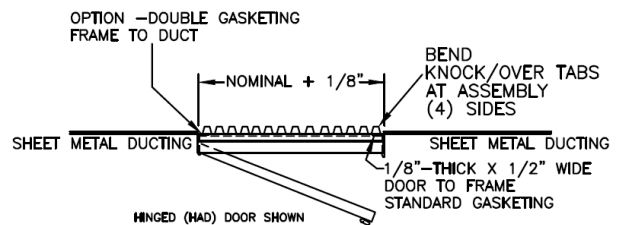
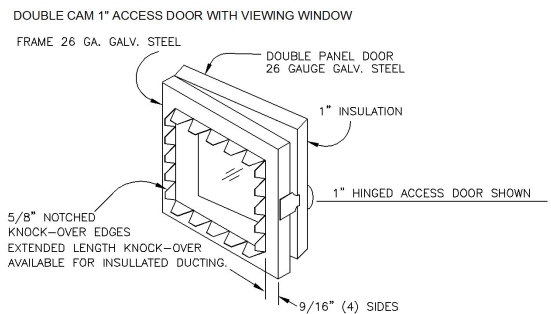


MODEL 65 (WCAD)
Double cam 1" access door with viewing window



OPTIONS:

- 1" extension for 1" thick duct board ducting
- 1-1/2" extension for 1-1/2" thick duct board ducting
- Double gasket for frame to duct gasket
- Aluminum or stainless steel



STANDARD FRAME

