



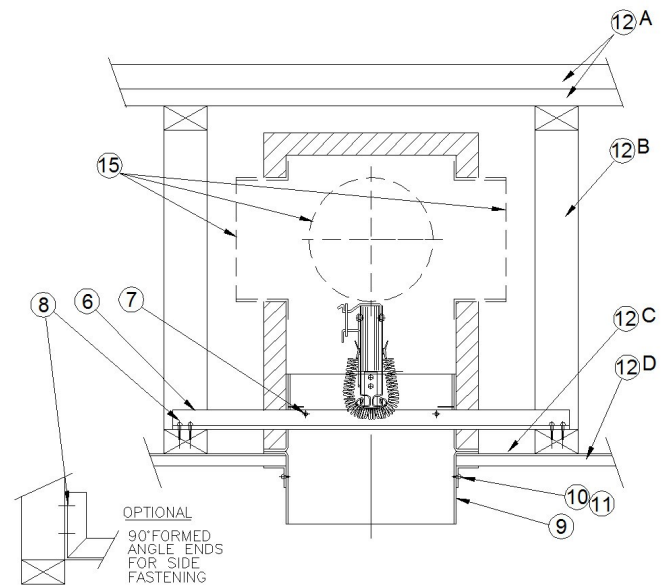
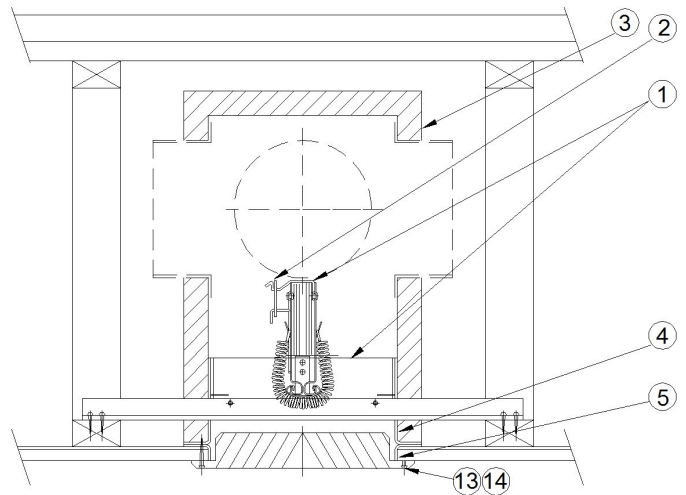
INSTALLATION INSTRUCTION

Model:

- CRD 50-FGPB-4.2-NI & CRD 50-EA-FGPB-4.2-NI for register & grille installations
- CRD 50-FGPB-4.2-NI & CRD 50-EA-FGPB-4.2-NI for drop thru duct installations
- CRD 50-FGPB-6.0-NI & CRD 50-EA-FGPB-6.0-NI for register & grille installations
- CRD 50-FGPB-6.0-NI & CRD 50-EA-FGPB-6.0-NI for drop thru duct installations

- (1) Lloyd Industries UL 555-C listed ceiling radiation damper
- (2) Easy access or standard fusible link (165°F std)(212°F optional)
- (3) Fiberglass ductboard plenum box (ul rated 181 class 1)(see note)
- (4) Damper sleeve: flanged for plenum insulation support (22 ga. galv. steel)
- (5) Register/grille sleeve 22 ga. galv. steel. (for 5/8" thick gypsum)
- (6) Support angles (2) per unit: factory installed or supplied separately
 - A. std. (16 ga. galvanized steel 3/4" x 3/4" x 26" lg)
 - B. optional (22 ga. galvanized 1-1/2" x 1-1/2" x 26" lg)
- (7) Support angle fasteners (fastens support angles to damper) #8 x 3/4" lg steel sheet metal screws, 3/16 diameter steel rivets, or spot welds. (2) places on each support angle minimum. when the (4) adjustable angle brackets are used, use fasteners above and secure support angles to adjustable brackets with a minimum of (1) fastener for each bracket.
- (8) Support angle fasteners (angles to truss cords) #8 or #10 x 1-1/2" lg steel sheet metal or drywall screws or #6 common nails (8) plcs.
- (9) Drop duct sleeve 22 ga. galv. steel
- (10) Drop duct mounting angles (4) 22 ga. x 1" x 1" galv. steel
- (11) Drop duct angle fasteners (angles to sleeve) #8 or #10 x 3/4" lg steel sheet metal screws or 3/16" steel pop rivets (8) plcs.
- (12) Ref: design I-563 wood truss ASM:
 - A. deck/roof materials
 - B. truss wood cords
 - C. RC channel
 - D. gypsum board 5/8" thick minimum
- (13) Register/grille (26 ga steel min)(.55 mm) (provided by other)
- (14) Register/grille steel mounting screws (2) #8 x 2" lg minimum. (provided by other)
- (15) Flexible duct and duct connectors: UL Classified class 0 or class 1 (provided and installed by other)
- (16) Boot clip installation permitted using (2) #8 or #10 steel sheet metal screws. use a min of (2) #8 "s" type steel screws to fasten to truss cords at each mounting point. use (2) crimp connections or hardware above to fasten non-locking boot clips to the flange. locking boot clip do not require flange fasteners.

These damper assemblies have been tested and approved for installation in 1 Hour roof/ceiling, floor/ceiling design numbers: UL-L-563 and UL-P-544



INSTALLATION INSTRUCTIONS
AND THE PRODUCTS SPECIFIED, ARE
IN CONFORMANCE TO ALL OF
UNDERWRITERS LABORATORIES
REQUIREMENTS 555C

All installations are subject to local authority approval prior to ordering and installing dampers





INSTALLATION INSTRUCTION

Model:

CRD 50-FGPB-4.2-NI & CRD 50-EA-FGPB-4.2-NI for register & grille installations
 CRD 50-FGPB-4.2-NI & CRD 50-EA-FGPB-4.2-NI for drop thru duct installations
 CRD 50-FGPB-6.0-NI & CRD 50-EA-FGPB-6.0-NI for register & grille installations
 CRD 50-FGPB-6.0-NI & CRD 50-EA-FGPB-6.0-NI for drop thru duct installations

1. **These Assemblies Must Be Insulated As Specified By The Additional Lloyd Ind. Fabrication Sheets To Maintain 1-hr Fire Resistance Ratings. Prior To Installation, Cut, Fabricate, & Install Fiberglass Plenum Boxes Using Only UL Approved Ductboard And Aluminum Tape As Specified In The Applicable Lloyd Industries Fiberglass Plenum Box Fabrication Sheet #10515.**
2. Before installing the damper assembly, open the ceiling radiation damper blades and secure the blades open with the easy access wire catch and the temperature rated fusible link.
3. Ceiling penetrations should be located between adjacent trusses and RC Channels using a s a minimum of 1-3/4" from the truss to the outside of the plenum box as shown. If required (1) RC Channel may be cut to allow installation. The clearance between the damper/sleeve and the gypsum ceiling material must not exceed 1/16" per side and 1/8" total max.
4. Installation:
 - A. If support angles have been provided pre-assembled to the units by the factory, center dampers between trusses and locate support angle rails on top of the lower truss cords. Fasten using a minimum of (2) #8, or #10 wood or drywall steel screws X 1-1/2" lg or #6 common nails at each mounting point.
 - B. Support angles may be cut and formed 90° for truss side mounting inside truss cords as shown.
 - C. If support angles have been provided separate from the unit, establish the dimension for the gypsum flange location to the top of the lower truss cord and fasten (2) support angles to units using (2) #8 x 3/4" lg steel sheet metal screws or (2) 3/16" diameter steel rivets for each angle. **NOTE: Insure that fasteners do not interfere with the ceiling radiation damper operation.**
5. The Fiberglass insulation plenum box permits cutting and installing a maximum of (3) collars for class 1 or class 0 flexible ducting. Use UL 181 Class 1 reinforced 2" wide aluminum Tape where required for assembly and box/duct sealing. **NOTE: Duct and collar installation must not interfere with damper operation inside the fiberglass ductboard plenum box.**
6. Registers/grilles of steel construction with 26 ga. (.55 mm) minimum are to be attached to the ceiling radiation damper gypsum flange using (2) #8 x 2" lg steel sheet metal screws minimum. (1) at each end of the grille/register minimum.
7. Drop duct installations require 22 ga. 1" x 1" retaining angles on all (4) sides fastened to the steel drop duct sleeve using (2) #8 x 3/4" lg steel sheet metal or 3/16" diameter steel rivets on each side as shown.



INSTALLATION INSTRUCTIONS
 AND THE PRODUCTS SPECIFIED, ARE
 IN CONFORMANCE TO ALL OF
 UNDERWRITERS LABORATORIES
 REQUIREMENTS 555C

All installations are subject to local
 authority approval prior to ordering
 and installing dampers





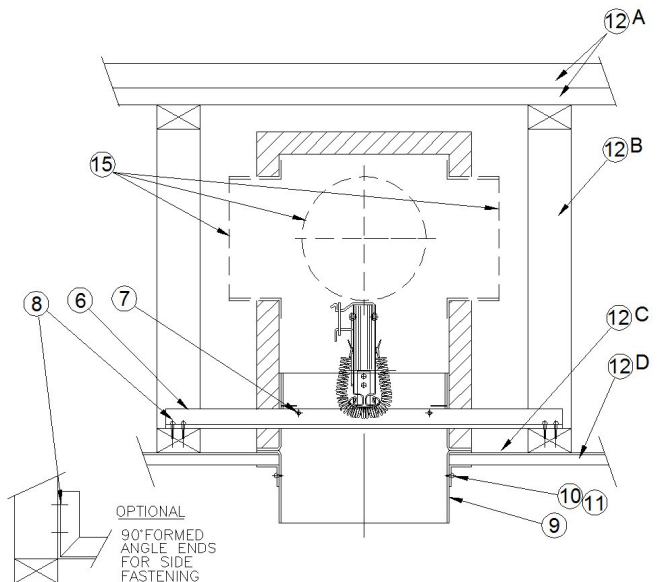
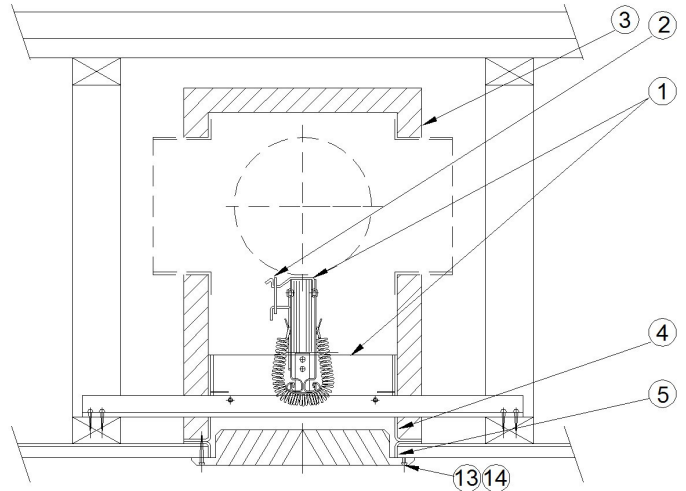
INSTALLATION INSTRUCTION

Model:

- CRD 50-FGPB-4.2 & CRD 50-EA-FGPB-4.2 for register & grille installations
- CRD 50-FGPB-4.2 & CRD 50-EA-FGPB-4.2 for drop thru duct installations
- CRD 50-FGPB-4.2-CP & CRD 50-EA-FGPB-4.2-CP for register & grille installations
- CRD 50-FGPB-4.2-CP & CRD 50-EA-FGPB-4.2-CP for drop thru duct installations
- CRD 50-FGPB-6.0-NI & CRD 50-EA-FGPB-6.0-NI for register & grille installations
- CRD 50-FGPB-6.0-NI & CRD 50-EA-FGPB-6.0-NI for drop thru duct installations

- (1) Lloyd Industries UL 555-C listed ceiling radiation damper
- (2) Easy access or std fusible link (165°F std)(212°F optional)
- (3) Fiberglass ductboard plenum box (UL rated 181 class 1)(see note)
- (4) Damper sleeve: flanged for plenum insulation support (22 ga. galv. steel)
- (5) Register/grille sleeve 22 ga. galv. steel. (for 5/8" thick gypsum)
- (6) Support angles (2) per unit: factory installed or supplied separately
 - A. std. (16 ga. galvanized steel 3/4" x 3/4" x 26" lg)
 - B. optional (22 ga. galvanized 1-1/2" x 1-1/2" x 26" lg)
- (7) Support angle fasteners (fastens support angles to damper) #8 x 3/4" lg steel sheet metal screws, 3/16 diameter steel rivets, or spot welds. (2) places on each support angle minimum. when the (4) adjustable angle brackets are used, use fasteners above and secure support angles to adjustable brackets with a minimum of (1) fastener for each bracket.
- (8) Support angle fasteners (angles to truss cords) #8 or #10 x 1-1/2" lg steel sheet metal or drywall screws or #6 common nails (8) plcs.
- (9) Drop duct sleeve 22 ga. galv. steel
- (10) Drop duct mounting angles (4) 22 ga. x 1" x 1" galv. steel
- (11) Drop duct angle fasteners (angles to sleeve) #8 or #10 x 3/4" lg steel sheet metal screws or 3/16" steel pop rivets (8) plcs.
- (12) Ref: design I-563 wood truss ASM:
 - A. deck/roof materials
 - B. truss wood cords
 - C. RC channel
 - D. gypsum board 5/8" thick minimum
- (13) Register/grille (26 ga steel min)(.55 mm) (provided by other)
- (14) Register/grille steel mounting screws (2) #8 x 2" lg minimum. (provided by other)
- (15) Flexible duct and duct connectors: UL Classified class 0 or class 1 (provided and installed by other)
- (16) Boot clip installation permitted using (2) #8 or #10 steel sheet metal screws. use a min of (2) #8 "s" type steel screws to fasten to truss cords at each mounting point. use (2) crimp connections or hardware above to fasten non-locking boot clips to the flange. locking boot clip do not require flange fasteners.

These Damper Assemblies Have Been Tested And Approved For Installation In 1 Hour Roof/ceiling, Floor/ceiling Design Numbers: UL-L563, P544, L563, L521, L546, P522, L528



INSTALLATION INSTRUCTIONS
AND THE PRODUCTS SPECIFIED, ARE
IN CONFORMANCE TO ALL OF
UNDERWRITERS LABORATORIES
REQUIREMENTS 555C

All installations are subject to local authority approval prior to ordering and installing dampers





INSTALLATION INSTRUCTION

Model:

- CRD 50-FGPB-4.2 & CRD 50-EA-FGPB-4.2 for register & grille installations
- CRD 50-FGPB-4.2 & CRD 50-EA-FGPB-4.2 for drop thru duct installations
- CRD 50-FGPB-4.2-CP & CRD 50-EA-FGPB-4.2-CP for register & grille installations
- CRD 50-FGPB-4.2-CP & CRD 50-EA-FGPB-4.2-CP for drop thru duct installations
- CRD 50-FGPB-6.0-NI & CRD 50-EA-FGPB-6.0-NI for register & grille installations
- CRD 50-FGPB-6.0-NI & CRD 50-EA-FGPB-6.0-NI for drop thru duct installations

1. Before installing the damper assembly, open the ceiling radiation damper blades and secure the blades open with the easy access wire catch and the temperature rated fusible link.
2. Ceiling penetrations should be located between adjacent trusses and RC Channels using a s a minimum of 1-3/4" from the truss to the outside of the plenum box as shown. If required (1) RC Channel may be cut to allow installation. The clearance between the damper/sleeve and the gypsum ceiling material must not exceed 1/16" per side and 1/8" total max.
3. Installation:
 - A. If support angles have been provided pre-assembled to the units by the factory, center dampers between trusses and locate support angle rails on top of the lower truss cords. Fasten using a minimum of (2) #8, or #10 wood or drywall steel screws X 1-1/2" lg or #6 common nails at each mounting point.
 - B. Support angles may be cut and formed 90° for truss side mounting inside truss cords as shown.
 - C. If support angles have been provided separate from the unit, establish the dimension for the gypsum flange location to the top of the lower truss cord and fasten (2) support angles to units using (2) #8 x 3/4" lg steel sheet metal screws or (2) 3/16" diameter steel rivets for each angle. **NOTE: Insure that fasteners do not interfere with the ceiling radiation damper operation.**
5. The Fiberglass insulation plenum box permits cutting and installing a maximum of (3) collars for class 1 or class 0 flexible ducting. Use UL 181 Class 1 reinforced 2" wide aluminum Tape where required for assembly and box/duct sealing. **NOTE: Duct and collar installation must not interfere with damper operation inside the fiberglass ductboard plenum box.**
6. Registers/grilles of steel construction with 26 ga. (.55 mm) minimum are to be attached to the ceiling radiation damper gypsum flange using (2) #8 x 2" lg steel sheet metal screws minimum. (1) at each end of the grille/register minimum.
7. Drop duct installations require 22 ga. 1" x 1" retaining angles on all (4) sides fastened to the steel drop duct sleeve using (2) #8 x 3/4" lg steel sheet metal or 3/16" diameter steel rivets on each side as shown.



INSTALLATION INSTRUCTIONS
AND THE PRODUCTS SPECIFIED, ARE
IN CONFORMANCE TO ALL OF
UNDERWRITERS LABORATORIES
REQUIREMENTS 555C

All installations are subject to local
authority approval prior to ordering
and installing dampers

