



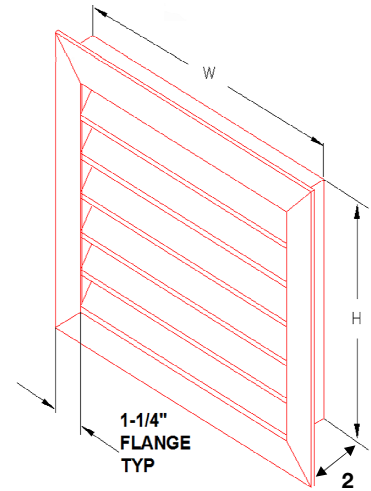
GALVANIZED, STAINLESS AND COPPER LOUVER

MODEL: 2-SRF-ML
IMPACT RESISTANT LOUVER



APPLICATION

The 2-SRF-ML Stationary Louver is 2" deep with a Flange Frame. That is designed for the protection of high air intake and exhaust velocities in building exterior walls.



SPECIFICATIONS

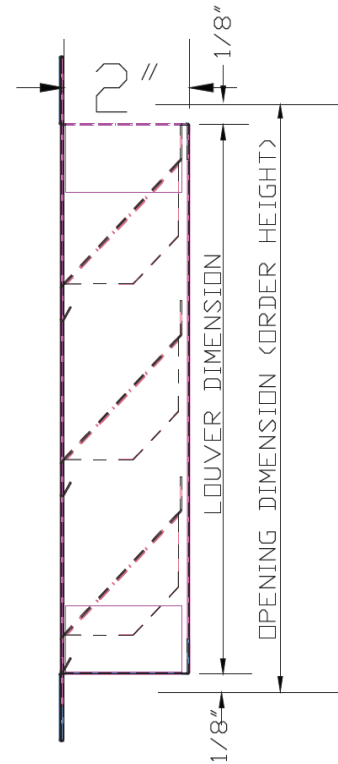
- Frame:** 22 Ga. galvanized steel
- Blade:** 22 Ga. galvanized steel
- Blade Spacing:** Approximately 3-1/4" center to center (except at head and sills)
- Fasteners:** Spot welds
- Blade Angle:** 36°
- Screen:** Bird screen
1/2"x1/2" galvanized steel
- Flange:** 1-1/4"

OPTIONS

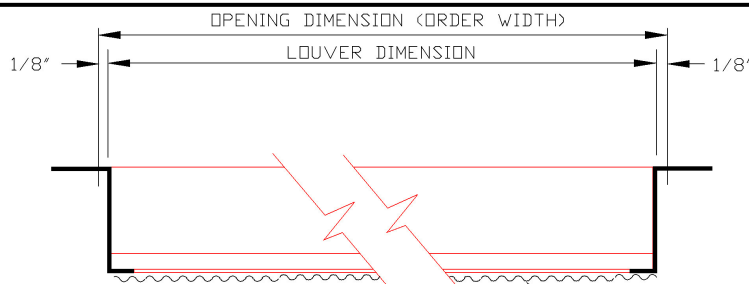
- Frame & Blade:** 22 Ga. 316 stainless steel
Copper
- Finish:** Powder Coat Paint
Baked Enamel Paint

Insect Screen 1/16" x 1/16" galvanized steel

Bird Screen 1/2" x 1/2" Aluminum



VERTICAL SECTION



HORIZONTAL SECTION

SCREENING SHOWN INSIDE

