



## ACCESS DOORS



**Model 20-HAD**

### Standard Construction

- Frame:** 22 GA. galvanized steel
- Door Panel:** 26 GA. galvanized steel
- Finish:** Galvanized steel

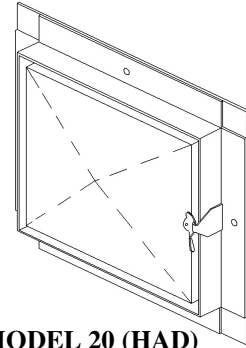
- 1" Thick hinged access door with flange
- Frame 22 GA. galvanized steel
- 1" Outboard flange all(4) sides
- 1/8' X 1-1/2' Pressure sensitive foam tape (4) sides
- 1/8" X 1/2" Inside door seal

### Optional Material:

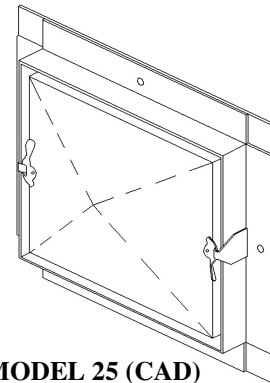
Aluminum or stainless steel

**MODEL:  
20-HAD  
25-CAD**

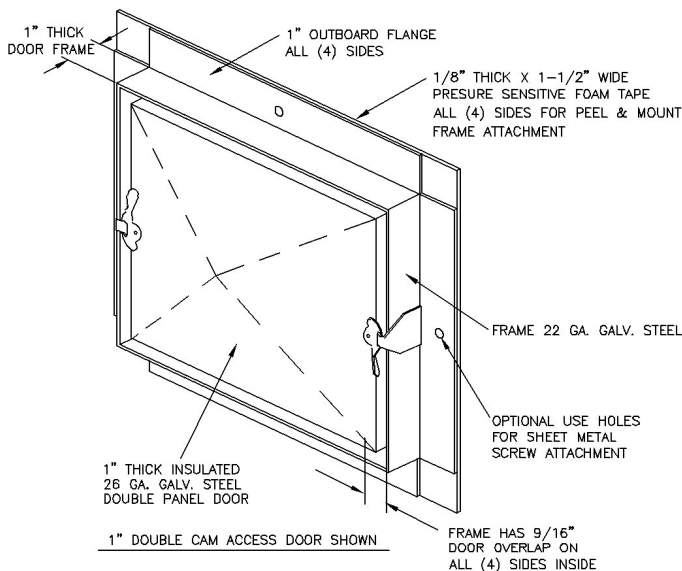
Standard models are 1" thick hinged or double cam lock insulated doors.



**MODEL 20 (HAD)**  
Hinged 1" access door with insulation

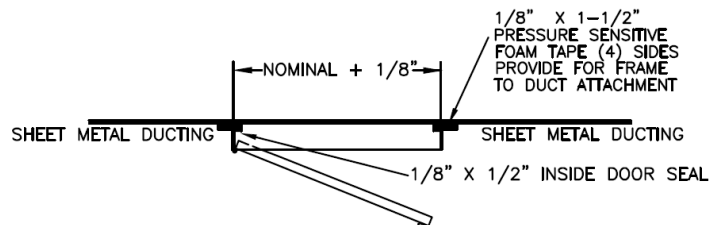
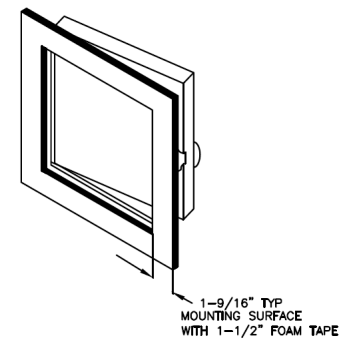


**MODEL 25 (CAD)**  
Double cam 1" access door with insulation



### NOTE:

- Hinged doors over 14" x 14" have 3 cam latches. Double cam doors over 14" x 14" have 4 cam latches.
- All models include 1/8" thick x 1/2" wide door-to-frame gasket.



231 Commerce Dr. Montgomeryville, PA 18936  
 Tel: 215-412-4445 Fax: 215-412-4409  
 Email: lloydind@firedamper.com

138 Industrial Loop West, Orange Park, FL 32073  
 Tel: 904-541-1655 Fax: 904-541-1657  
 Email: lloydind1@firedamper.com

B1, 4/F., Luen Ming Hing Factory Building  
 36 Mok Cheong St.,  
 To Kwa Wan, Kowloon, H. K.  
 Tel: 852-2760-4188 Fax: 852-2760-4177  
 Email: tatanlexyim@lloydasia.com

