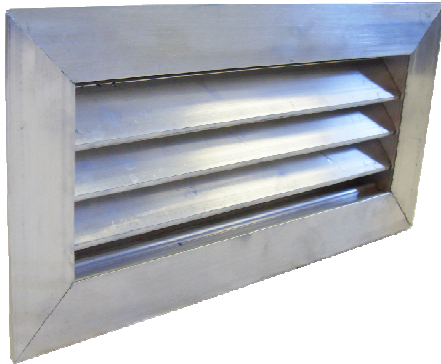




EXTRUDED ALUMINUM BRICK VENTS



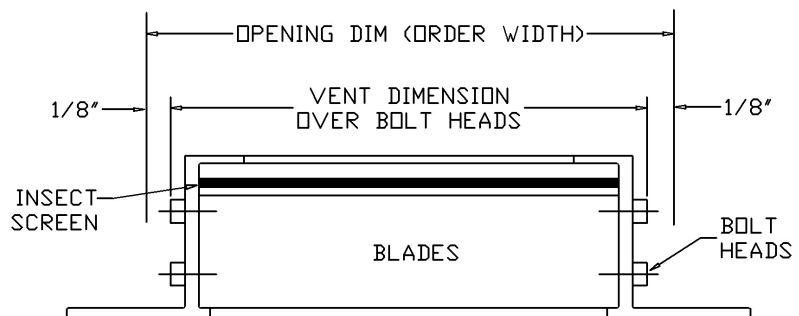
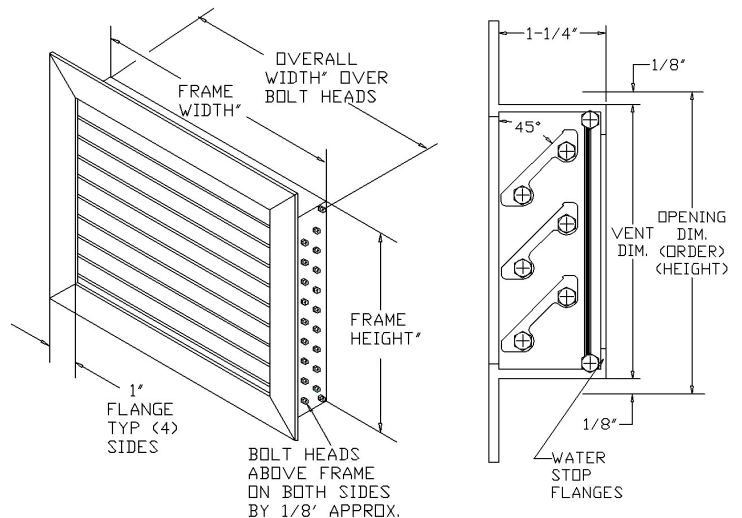
MODELS:
1-BVF
STORM RESISTANT
(FLANGED)

APPLICATION

The 1-BVF is an extruded aluminum brick vent with flange. Extruded construction provides a quality finished appearance. A high water stop at the rear and deep overlapping blades with storm stops provide maximum resistance to rain.

STANDARD CONSTRUCTION

- FRAME:** 1/8" Thick extruded aluminum 6063 T6
Construction with 1" wall flange
- BLADES:** 1/8" thick extruded aluminum 6063 T6
construction
- BLADE**
- CENTERS:** 1" Centers at 45°
head and sill spacing not to exceed
frame flange dimension for maximum
water resistance
- ASSEMBLY:** Aluminum 18x16 MESH corrosion
resistant
- FINISH:** Mill finish
- OPTIONAL FINISHES:** Clear Anodize
Black enamel
KYNAR
Bronze Anodize
- SIZES:** Minimum Width 4"
Minimum Height 2-1/4"
Maximum single section: Unlimited



Brick vent will be supplied as order width -1/4" x order height -1/4" unless specified "actual size."