



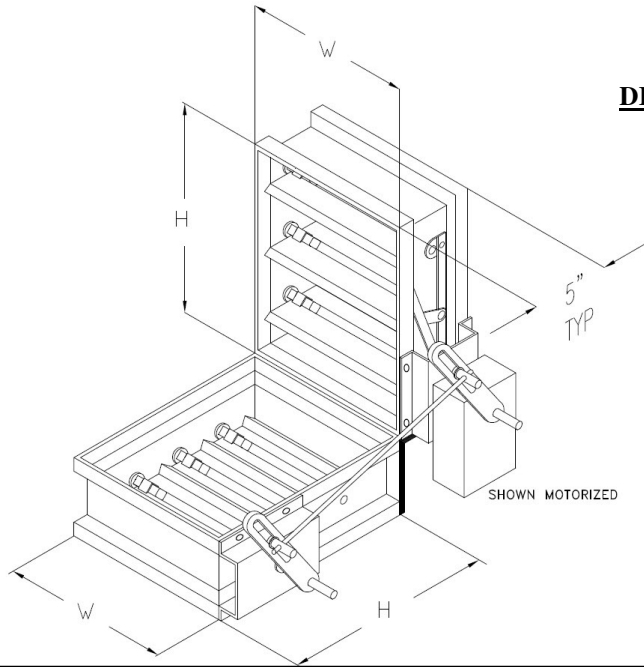
**ACTUATOR FOR DIVERTER AND SIDE PLATE**

**MODELS:  
AC-10 (PARALLEL BLADE)  
AC-20 (OPPOSED BLADE)**

**DIVERTER AIR CONTROL DAMPER COMBINATIONS**

**LINKAGE ASSEMBLY INCLUDES:**

- (2) Crank Arm Assemblies (10026)
- (1) Jackshaft (10025)
- (2) Bearing Brackets (10092)
- (2) Swivels



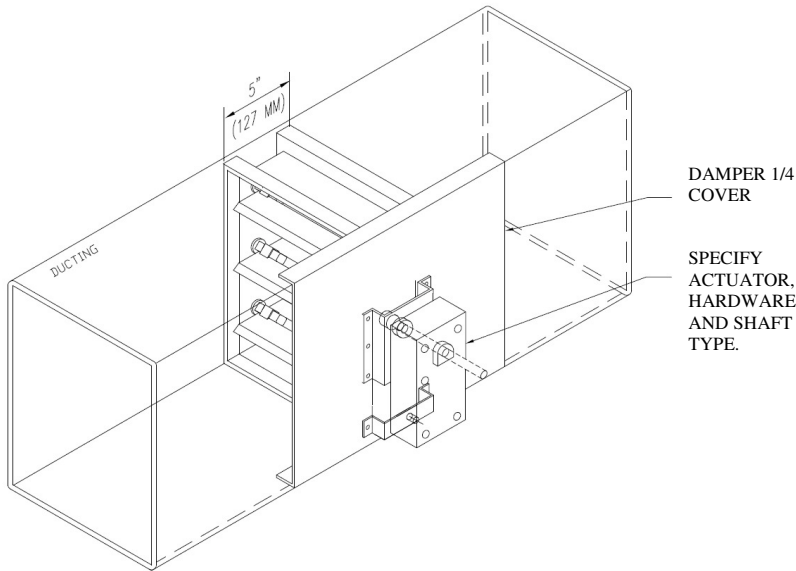
**COMPONENTS FOR DAMPER WITH SINGLE SIDE COVERING SLEEVE:**

- (1) DAMPER SINGLE COVER SLEEVE

NOTE: SPECIFY SLEEVE LENGTH AND IF DUCT SIZE IS NOT IDENTICAL TO DAMPER SIZES. (i.e. INSULATED DUCTING)  
REFER TO THE ACTUATOR SELECTION INFORMATION FOR ALL OTHER COMPONENT REQUIRED.

(STANDARD SHEET METAL SCREWS ARE NOT PROVIDED)

BELIMO (SHOWN)  
POWER OPEN/SPRING CLOSE  
POWER CLOSE/SPRING OPEN  
POWER MODULATING  
AVAILABLE IN: 120 VAC, 24 VAC, 24 VDC, 24 VDC WITH 2-10V DC CONTROLLING (MODULATING) END  
SWITCHES AVAILABLE



NOTE:  
SPECIFY SLEEVE LENGTH AND IF DUCT SIZE IS NOT IDENTICAL TO DAMPER SIZES.  
(i.e. INSULATED DUCTING)  
REFER TO THE ACTUATOR SELECTION INFORMATION FOR ALL OTHER COMPONENTS REQUIRED

