



AIR CONTROL DAMPER



MODELS:
AC10 (PARALLEL BLADE)
AC20 (OPPOSED BLADE)

APPLICATION

The AC10/AC20 is a galvanized steel damper for low to medium velocity and pressure HVAC systems. A wide range of electric and pneumatic actuators are available.

STANDARD CONSTRUCTION

- FRAME:** 16 Ga. (1.5mm) galvanized steel
Interlocking stacked hat section
(*Channel frame shown)
- BLADES :** 16 Ga. galvanized V formed
- BEARINGS:** Non-metallic celcon
- AXLES:** 1/2 Sq zinc plated steel stud
- LINKAGE:** Concealed in frame
10 Ga. zinc plated steel
- FINISH:** Mill galvanized

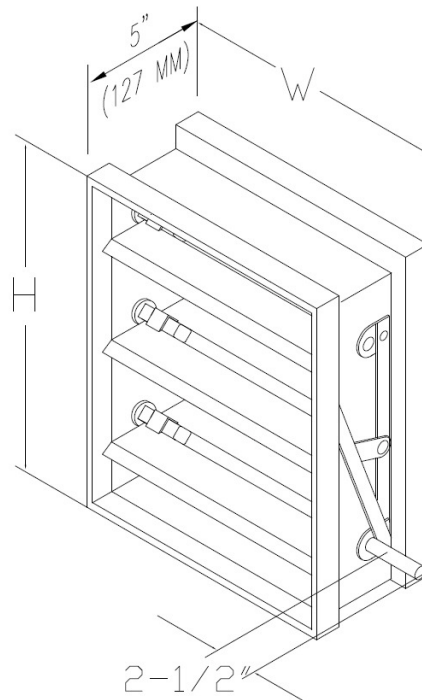
STANDARD 2-1/2" EXTENDED SHAFT:
Fixed 1/2 in dia. zinc plated steel shaft extending 2 1/2 in beyond the air control damper frame.

OPTIONAL COMPONENTS

- Neoprene blade seals
- Stainless steel jamb seals
- Aluminum frame
- Aluminum V blades
- Bronze bearings
- Flat head & sill frame construction for max. air flow sizes 4"high to 8"high
- Stainless steel construction
- Sleeves: refer to the ACD sleeve specs
- Actuators: manual, electric, pneumatic (internal or external options available)

****OPTIONAL REMOVABLE 8" EXTENDED SHAFT:**
1/2 dia. Shaft extending 7 1/2 inches beyond the air control frame.
Requires 1" or 2" bearing bracket.

Model	Single Section		Multiple Section
	Minimum Size (WxH)	Maximum Size (WxH)	Maximum Size (WxH)
AC10	6"x6"	60"x60"	UNLIMITED
AC20	6"x11"	60"x60"	



NOTE:
Dampers supplied 1/4" less than order width and height unless specified "ACTUAL SIZE"

