

FIRE SMOKE DAMPER WITH SMOKE DETECTOR

MODELS:
FSD-111-1-PB-B114LP



APPLICATION

The FSD-111-1PB-B114LP is a fire smoke damper with plug-in smoke detector. The smoke detector is UL listed to UL 268A specifically for use in no-flow/low-flow air-handling systems. It's designed for installation where a standard Venturi principle duct smoke detector is unsuitable. This is the perfect combination for installation in ducts where the air velocity is below 500 fpm or for duct size as small as 8 inches in diameter.

RATINGS

| | |
|-------------------------|----------------------------------|
| Fire rating: | 1-1/2 Hours |
| Ultra low leakage: | Class 1 |
| Dynamic closure rating: | Actual limits are size dependent |
| Maximum velocity: | 2400fpm |
| Maximum pressure: | 4.0" W.G. |

STANDARD CONSTRUCTION

FRAME: 5in. X 1in. Channel
16 ga. (1.5mm) Galvanized Steel

BLADES : 16 ga. 3V

BEARINGS: Bronze

AXLES: 1/2 Sq. zinc plated steel studs

LINKAGE: 0.12x0.50 zinc plated steel
concealed in the channel frame

FINISH: Mill galvanized

AIR FLOW: Bi-Directional

JACKSHAFT: 1/2" Dia. Zinc plated steel with
jackshaft connector coupling

Model FSD-111-1-PB-B114LP meets the requirements for fire dampers, smoke dampers and combination fire smoke dampers established by:

**CSFM California State Fire Marshal
Fire Damper Listing (#3225-1417:102)
Leakage (Smoke) Damper Listing (#3230-1417:103)
New York City (MEA listing #215-99-E)
British Standard (BS – 476 Part 20)
Performance testing by AMCA International
(AMCA STD 500)**



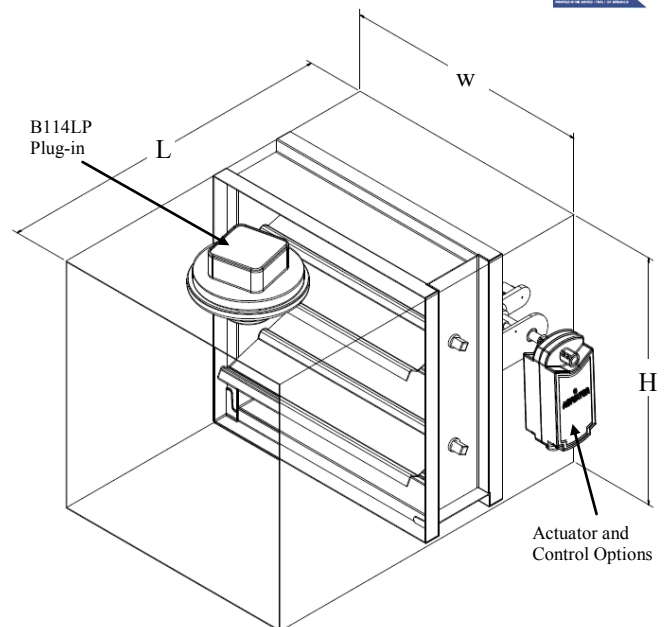
UL CLASSIFIED: UL 555 & UL 555S

OPTIONAL ACTUATORS

SIEMENS: GGD121.1U, GGD221.1U, GGD321.1U
SIEMENS: GND121.1U, GND221.1U, GND321.1U
BELIMO: FSNF24, FSNF120, FSNF230

*For more Actuator information, refer to individual Specs Sheet.

| Single Section | | Multiple Section |
|--------------------|--------------------|--------------------|
| Minimum Size (WxH) | Maximum Size (WxH) | Maximum Size (WxH) |
| 12"x8" | 36"x36" | 72"x72" |
| | 72"x72" | |



NOTE:
Dampers supplied 1/4" less than order width and height