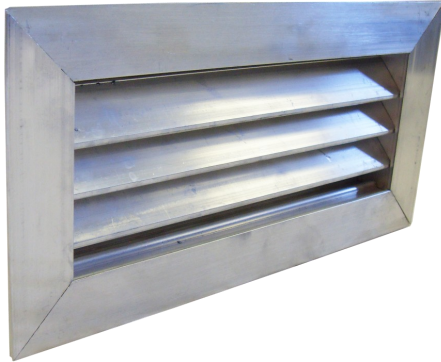




EXTRUDED ALUMINUM BRICK VENTS



MODELS:
1-BVF
STORM RESISTANT
(FLANGED)

APPLICATION

The 1-BVF is Lloyd's extruded aluminum brick vent with flange. Extruded construction provides a quality finished appearance. A high water stop at the rear and deep overlapping blades with storm stops provide maximum resistance to rain.

STANDARD CONSTRUCTION

FRAME: 1/8" Thick extruded aluminum 6063 T6
Construction with 1" wall flange

BLADES: 1/8" thick extruded aluminum 6063 T6
construction

BLADE

CENTERS: 1" Centers at 45°
head and sill spacing not to exceed
frame flange dimension for maximum
water resistance

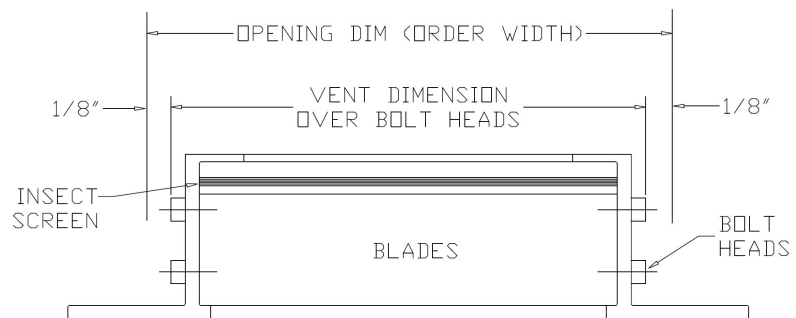
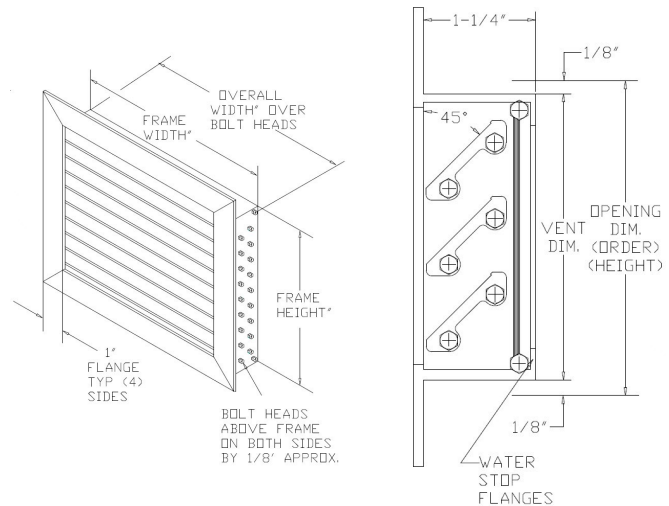
ASSEMBLY: Aluminum 18x16 MESH corrosion
resistant

FINISH: Mill finish

OPTIONAL FINISHES:

- (1) Clear Anodize
- (2) Painted
- (3) KYNAR
- (4) Anodize colors

SIZES: Minimum Width 4"
Minimum Height 2-1/4"
Maximum single section: Unlimited



Brick vent will be supplied as order width -1/4" x order height -1/4" unless specified "actual size."