



AIR CONTROL DAMPER



MODELS:
AC10 (PARALLEL BLADE)
AC20 (OPPOSED BLADE)
DAMPER WITH FLANGED FRAME

APPLICATION

The AC10/AC20 are Lloyd's low leakage, galvanized steel damper with flanged frame for low to medium velocity and pressure HVAC systems. A wide range of electric and pneumatic actuators are available.

STANDARD CONSTRUCTION

- FRAME:** 16 ga. (1.5mm) galvanized steel
Interlocking stacked hat section
(*Channel frame shown)
- BLADES :** 16 ga. Galvanized Vee formed
- BEARINGS:** Non-metallic celcon
- AXLES:** 1/2 square zinc plated steel stud
- LINKAGE:** Concealed in frame
10 ga. Zinc plated steel
- FINISH:** Mill galvanized

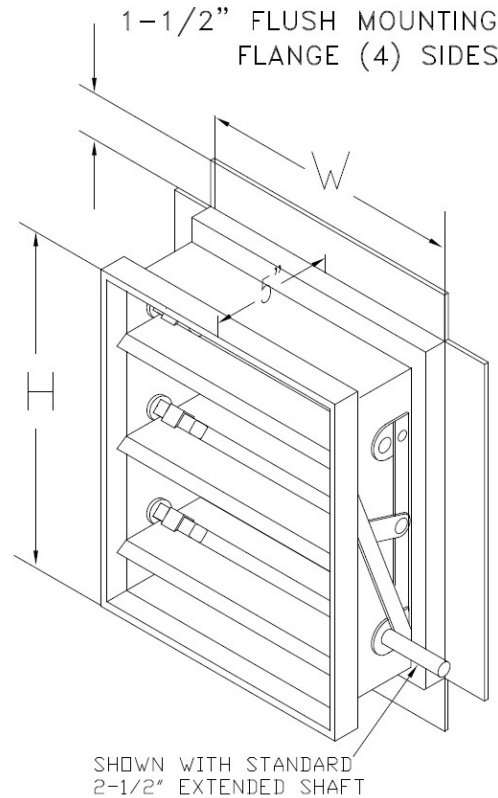
STANDARD 2-1/2" EXTENDED SHAFT:
FIXED 1/2 INCH DIA, ZINC PLATED STEEL SHAFT EXTENDING 2 1/2 INCHES BEYOND THE AIR CONTROL DAMPER FRAME.

OPTIONAL COMPONENTS

- Neoprene Blade seals
- Stainless steel jamb seals
- Aluminum frame
- Aluminum Vee blades
- Bronze bearings
- Flat head & sill frame construction for max. air flow sizes 4"High to 8"High
- Stainless steel construction
- Sleeves: Refer to the ACD sleeve specs
- Actuators: Manual, electric, pneumatic

****OPTIONAL REMOVABLE 8" EXTENDED SHAFT:**
1/2 dia. Shaft extending 7 1/2 inches beyond the air control frame.

Model	Single Section		Multiple Section
	Minimum Size (WxH)	Maximum Size (WxH)	Maximum Size (WxH)
AC10	6"x6"	60"x60"	UNLIMITED
AC20	6"x11"	60"x60"	



NOTE:
Dampers supplied 1/4" less than order width and height unless specified "ACTUAL SIZE"

